

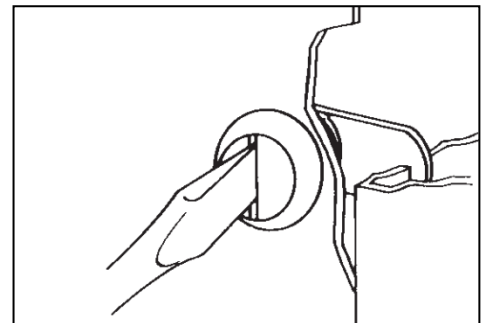
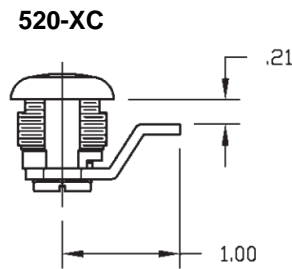
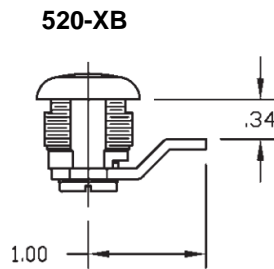
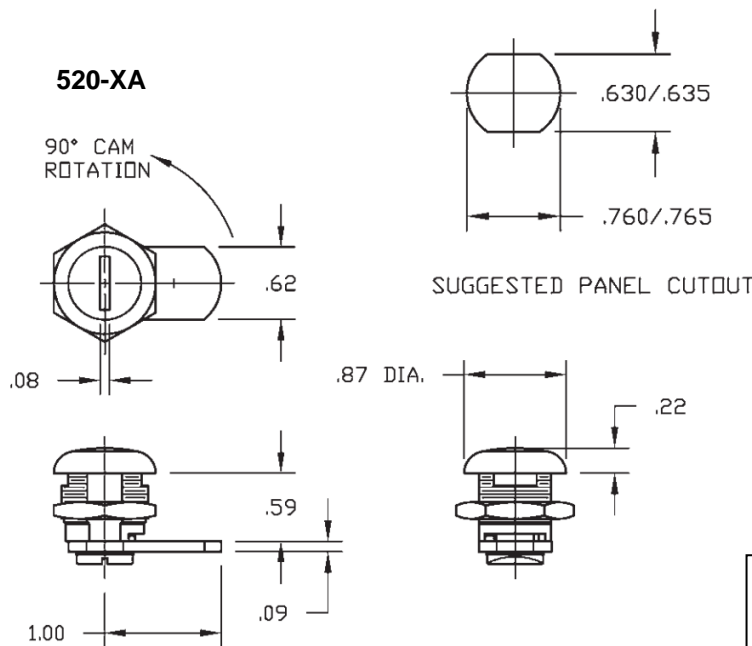
520 Slotted Cam Lock

Features

- Quarter turn with slotted head for use with a screwdriver
- This attractive, low-profile latch has universal use because of its clean, modern appearance
- Designed mainly for use on light cabinet doors and panels, a distinctive “snap” lets the user know that the latch is fully open or fully closed
- The dead-bolt latch comes with a hex nut for mounting them to a door or panel
- Cam is held in place with a lock washer and screw

Material

- Slotted plug barrel and hex nut: Zinc die cast
- Cam, lock washer and screw: Steel, nickel plated



Part No.	Grip Range
520-XA-11	.59"
520-XB-11	.34"
520-XC-11	.21"

Dimensions in inches